

10/100/1000 BASE SINGLE PORT TRANSFORMER

- Compliant with IEEE 802.3 standard.
- RoHS compliant.
- Operating temperature range :0°C to +70°C.
- Storage temperature range: 0°C to +85°C.

Electrical Specifications @ 25°C

Part Number	Turns Ratio (±5%)		OCL(μH Min) @100KHz/0.1V With DC8.0mA	Insertion Loss (dB Max)	HI-POT (Vrms)
	TX	RX		0.3-100MHz	
AE-SC24701	1CT:1CT	1CT:1CT	350	-1.1	1500
AE-SC24701A	1CT:1CT	1CT:1CT	350	-1.1	1500
AE-SC24701AH	1CT:1CT	1CT:1CT	350	-1.1	1500
AE-SC24701AP	1CT:1CT	1CT:1CT	350	-1.1	1500
AE-SC24702	1CT:1CT	1CT:1CT	350	-1.1	1500
AE-SC24702A	1CT:1CT	1CT:1CT	350	-1.1	1500
AE-SC24703	1CT:1CT	1CT:1CT	350	-1.1	1500
AE-SC24703A	1CT:1CT	1CT:1CT	350	-1.1	1500
AE-SC24704H	1CT:1CT	1CT:1CT	350	-1.1	1500
AE-SC24705H	1CT:1CT	1CT:1CT	350	-1.1	1500
AE-SC24705PT	1CT:1CT	1CT:1CT	350	-1.1	1500

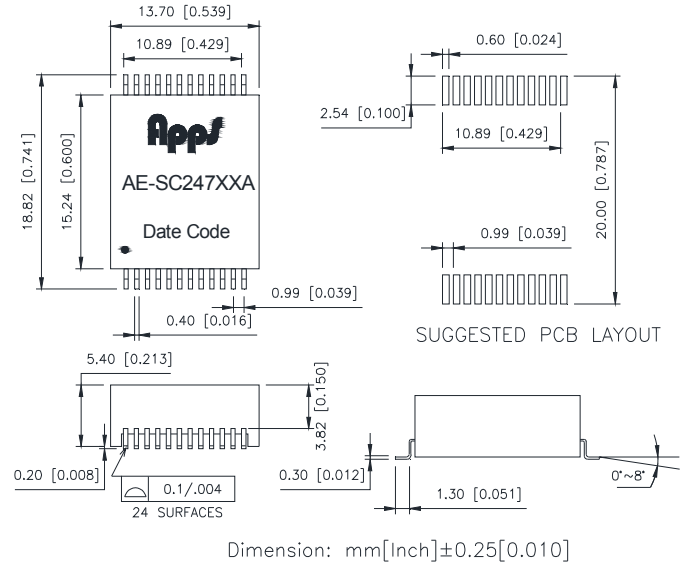
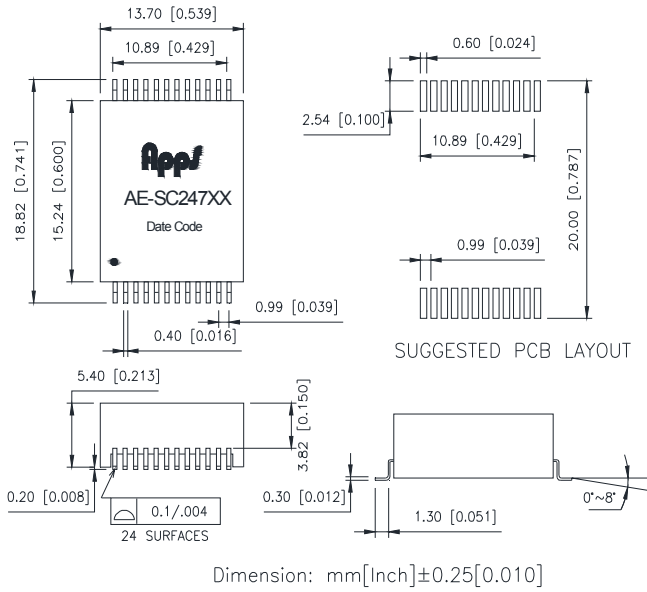
Continue

Part Number	Return Loss (dB Min)			Cross Talk (dB Min)	DCMR (dB Min)		
	0.3-30MHz	40MHz	60-80MHz	0.3-100MHz	30MHz	60MHz	100MHz
AE-SC24701	-18	-14.4	-12	-30	-40	-35	-30
AE-SC24701A	-18	-14.4	-12	-30	-40	-35	-30
AE-SC24701AH	-18	-14.4	-12	-30	-40	-35	-30
AE-SC24701AP	-18	-14.4	-12	-30	-40	-35	-30
AE-SC24702	-18	-14.4	-12	-30	-40	-35	-30
AE-SC24702A	-18	-14.4	-12	-30	-40	-35	-30
AE-SC24703	-18	-14.4	-12	-30	-40	-35	-30
AE-SC24703A	-18	-14.4	-12	-30	-40	-35	-30
AE-SC24704H	-18	-14.4	-12	-30	-40	-35	-30
AE-SC24705H	-18	-14.4	-12	-30	-40	-35	-30
AE-SC24706PT	-18	-14.4	-12	-30	-40	-35	-30

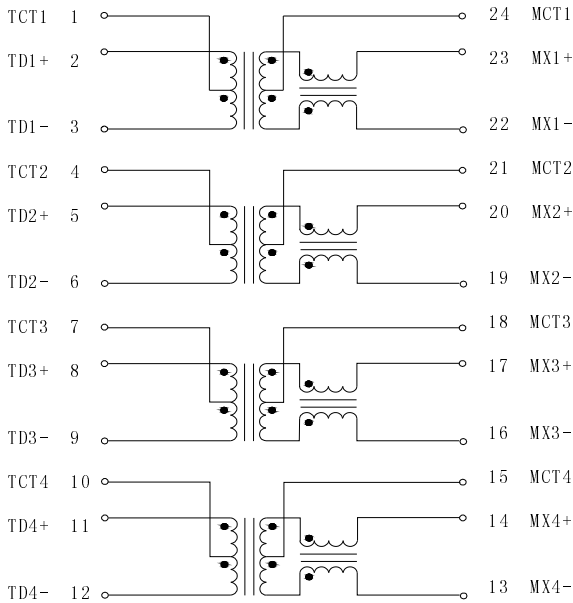
The Part Number "H": High temperature & The temperature of the wide.

10/100/1000 BASE SINGLE PORT TRANSFORMER

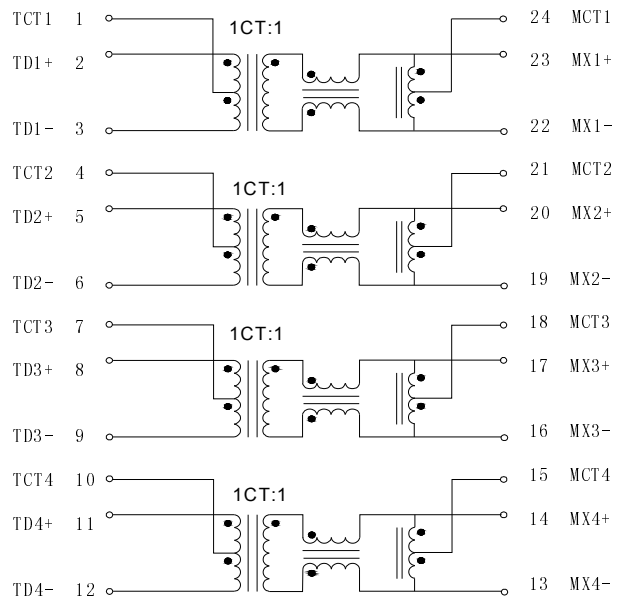
Mechanicals:



AE-SC24701

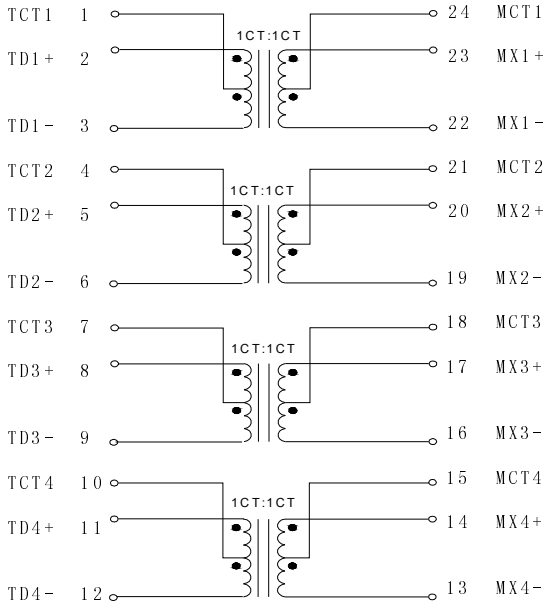


AE-SC24701A

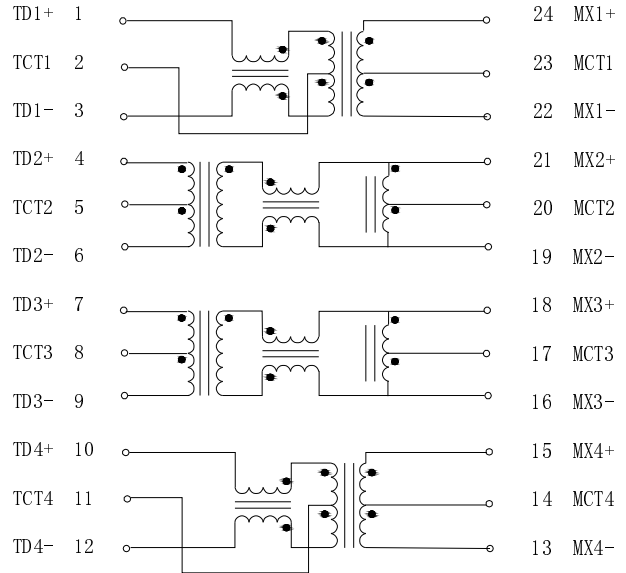


10/100/1000 BASE SINGLE PORT TRANSFORMER

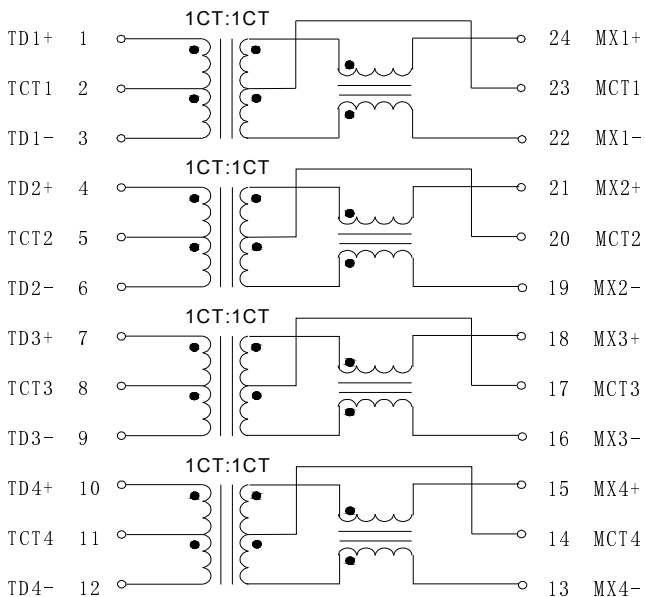
AE-SC24702



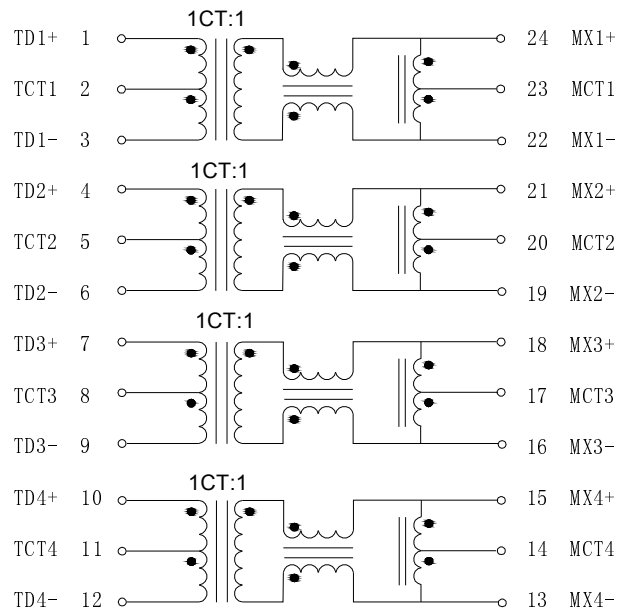
AE-SC24702A



AE-SC24703

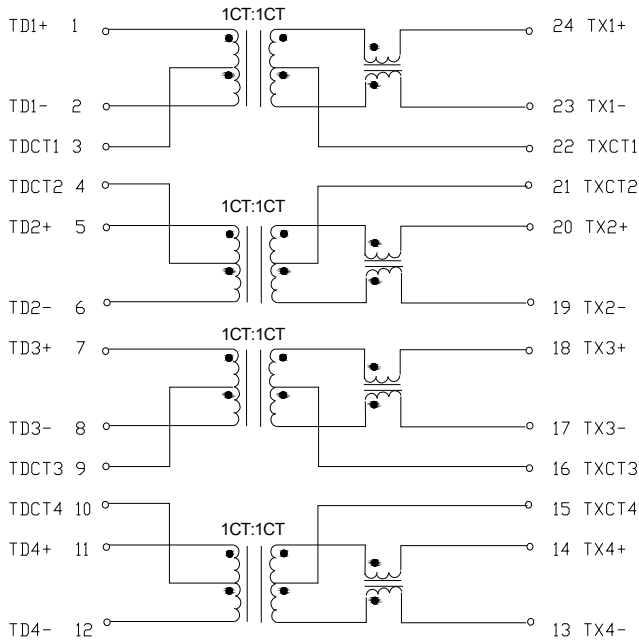


AE-SC24703A

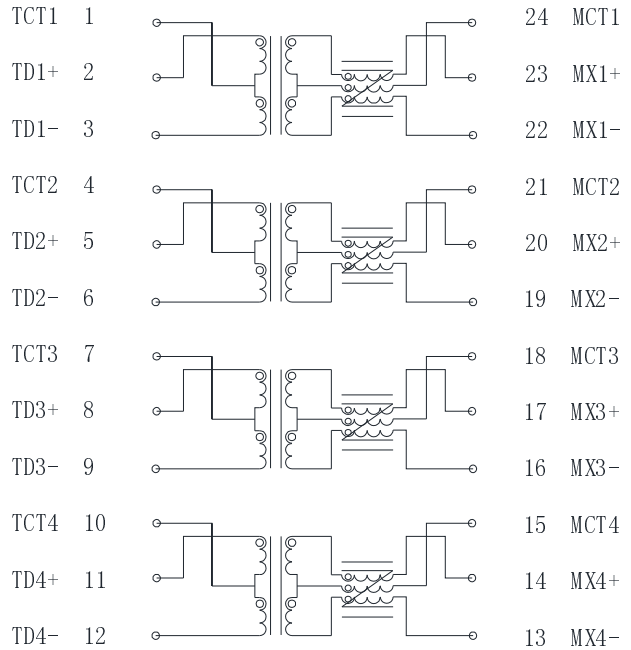


10/100/1000 BASE SINGLE PORT TRANSFORMER

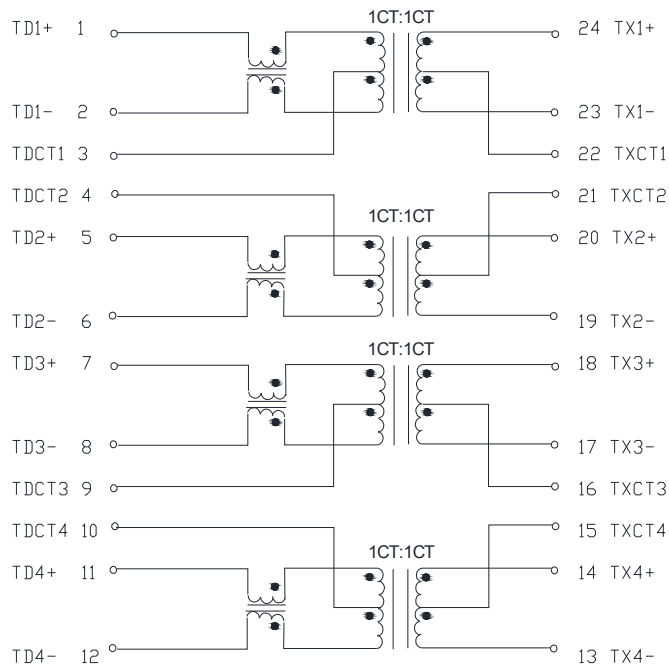
AE-SC24704



AE-SC24705



AE-SC24706



Specification	Packing Manner	Q'ty per Tube/Reel	Q'ty/Inner box	Q'ty/Carton
AE-SC247XX	TUBE	36	/	6048
	REEL	400	1200	2400

Address: Room 1720, Block A, Xinian Centre, Shennan Road, Futian District, Shenzhen, Guangdong, P.R. China

Tel : +86 (755) 86538552 Fax : +86 (755) 26653184 Post Code : 518057

Http: www.appselectronics.com E-mail: sales@appselectronics.com