

## 10/100/1000 BASE SINGLE PORT TRANSFORMER

- Compliant with IEEE 802.3 standard.
- RoHS compliant.
- Operating temperature range :0°C to +70°C.
- Storage temperature range: 0°C to +85°C.



### Electrical Specifications @ 25°C

Part Number	Turns Ratio (±5%)		OCL(μH Min) @100KHz/0.1V with 8.0mA DC	Insertion Loss (dB Max)	HI-POT (Vrms)
	TX	RX		0.3-100MHz	
AE-SC24801	1CT:1CT	1CT:1CT	350	-1.1	1500
AE-SC24801C	1CT:1CT	1CT:1CT	350	-1.1	1500
AE-SC24801H	1CT:1CT	1CT:1CT	350	-1.1	1500
AE-SC24801P	1CT:1CT	1CT:1CT	350	-1.1	1500
AE-SC24801PH	1CT:1CT	1CT:1CT	350	-1.1	1500
AE-SC24801HT	1CT:1CT	1CT:1CT	350	-1.1	5000
AE-SC24801A	1CT:1CT	1CT:1CT	350	-1.1	1500
AE-SC24801AH	1CT:1CT	1CT:1CT	350	-1.1	1500
AE-SC24801AP	1CT:1CT	1CT:1CT	350	-1.1	1500
AE-SC24801APH	1CT:1CT	1CT:1CT	350	-1.1	1500
AE-SC24802H	1CT:1CT	1CT:1CT	350	-1.1	1500
AE-SC24802PH	1CT:1CT	1CT:1CT	350	-1.1	1500
AE-SC24802PT	1CT:1CT	1CT:1CT	350	-1.1	4000
AE-SC24803	1CT:1CT	1CT:1CT	350	-1.1	1500
AE-SC24804H	1CT:1CT	1CT:1CT	350	-1.1	1500
AE-SC24804P	1CT:1CT	1CT:1CT	350	-1.1	1500
AE-SC24804PH	1CT:1CT	1CT:1CT	350	-1.1	1500
AE-SC24805	1CT:1CT	1CT:1CT	350	-1.1	1500
AE-SC24806A	1CT:1CT	1CT:1CT	350	-1.1	1500
AE-SC24807PH	1CT:1CT	1CT:1CT	350	-1.1	1500
AE-SC24808P	1CT:1CT	1CT:1CT	350@with 24.0mA DC	-1.4	1500
AE-SC24808PH	1CT:1CT	1CT:1CT	350	-1.4	1500
AE-SC24809P	1CT:1CT	1CT:1CT	350	-1.1	1500
AE-SC24810P	1CT:1CT	1CT:1CT	350@with 13.0mA DC	-1.1	1500
AE-SC24811PH	1CT:1CT	1CT:1CT	350	-1.1	1500
AE-SC24812	1CT:1CT	1CT:1CT	350	-1.1	1500
AE-SC24813	1CT:1CT	1CT:1CT	350	-1.1	1500

Address: Room 1720, Block A, Xinian Centre, Shennan Road, Futian District, Shenzhen, Guangdong, P.R. China

Tel : +86 ( 755 ) 86538552 Fax : +86 ( 755 ) 26653184 Post Code : 518057

Http: [www.appselectronics.com](http://www.appselectronics.com) E-mail: [sales@appselectronics.com](mailto:sales@appselectronics.com)

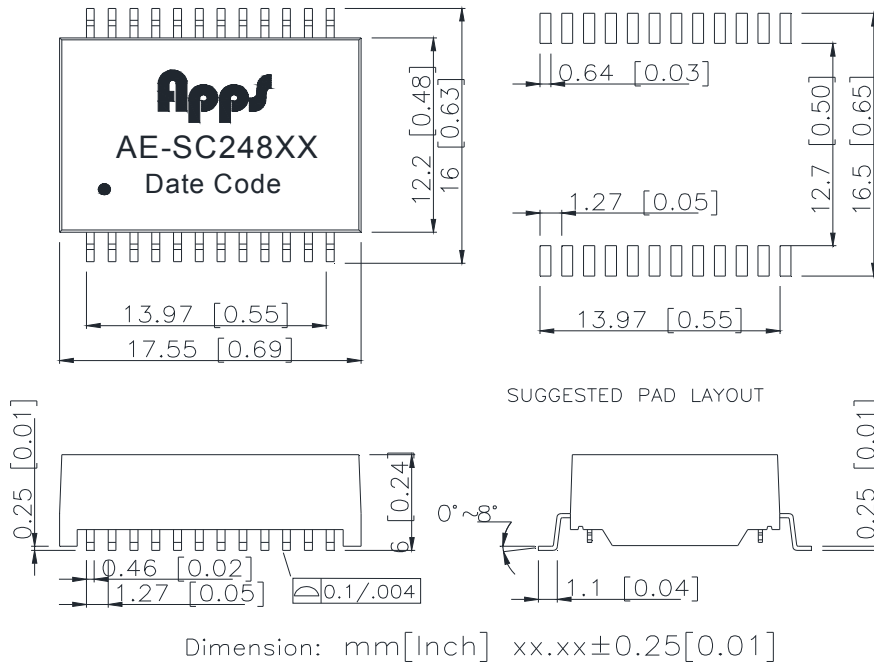
Continue							
Part Number	Return Loss (dB Min)			Cross Talk (dB Min)	DCMR (dB Min)		
	1-30MHz	40MHz	60-80MHz	0.3-100MHz	30MHz	60MHz	100MHz z
AE-SC24801	-18	-14.4	-12	-30	-37	-33	-30
AE-SC24801P	-18	-14.4	-12	-30	-37	-33	-30
AE-SC24801C	-18	-14.4	-12	-30	-37	-33	-30
AE-SC24801H	-18	-14.4	-12	-30	-37	-33	-30
AE-SC24801PH	-18	-14.4	-12	-30	-37	-33	-30
AE-SC24801HT	-18	-14.4	-12	-30	-37	-33	-30
AE-SC24801A	-18	-14.4	-12	-30	-37	-33	-30
AE-SC24801AH	-18	-14.4	-12	-30	-37	-33	-30
AE-SC24801AP	-18	-14.4	-12	-30	-37	-33	-30
AE-SC24801APH	-18	-14.4	-12	-30	-37	-33	-30
AE-SC24802H	-18	-14.4	-12	-30	-37	-33	-30
AE-SC24802PH	-18	-14.4	-12	-30	-37	-33	-30
AE-SC24802PT	-18	-14.4	-12	-30	-37	-33	-30
AE-SC24803	-18	-14.4	-12	-30	-37	-33	-30
AE-SC24804H	-18	-14.4	-12	-30	-37	-33	-30
AE-SC24804P	-18	-14.4	-12	-30	-37	-33	-30
AE-SC24804PH	-18	-14.4	-12	-30	-37	-33	-30
AE-SC24805	-18	-14.4	-12	-30	-37	-33	-30
AE-SC24806A	-18	-14.4	-12	-30	-37	-33	-30
AE-SC24807PH	-18	-14.4	-12	-30	-37	-33	-30
AE-SC24808P	-16	-13	-10	-30	-37	-33	-30
AE-SC24808PH	-16	-13	-10	-30	-37	-33	-30
AE-SC24809P	-18	-14.4	-12	-30	-37	-33	-30
AE-SC24810P	-18	-14.4	-12	-30	-37	-33	-30
AE-SC24811PH	-18	-14.4	-12	-30	-37	-33	-30
AE-SC24812	-18	-14.4	-12	-30	-37	-33	-30
AE-SC24813	-18	-14.4	-12	-30	-37	-33	-30

The Part Number "H": High temperature & The temperature of the wide. "P": Compliant with IEEE 802.3at standard.

"T": High HI-POT.

# 10/100/1000 BASE TRANSFORMER

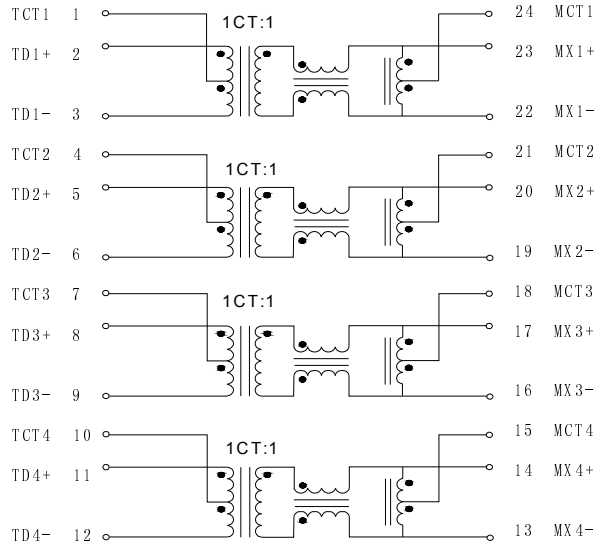
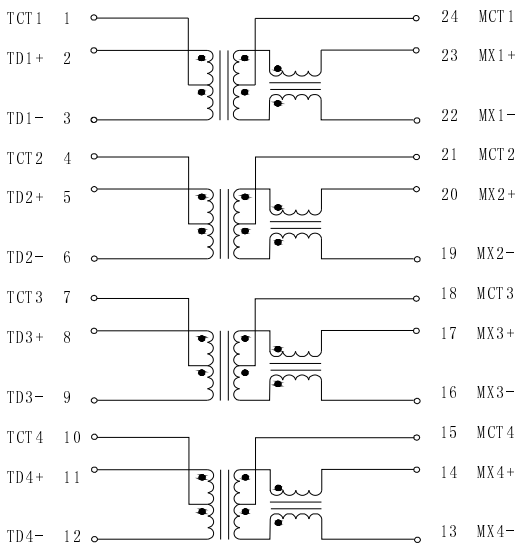
## Mechanicals:



## Schematics:

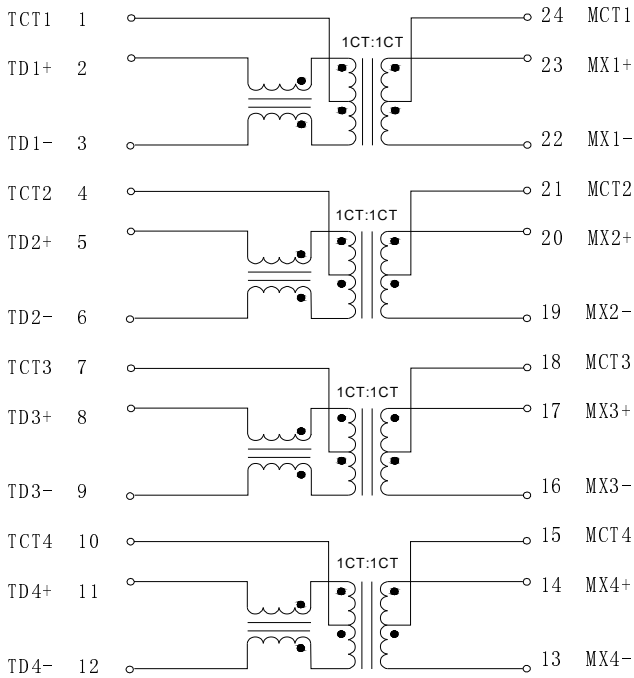
### AE-SC24801

### AE-SC24801A

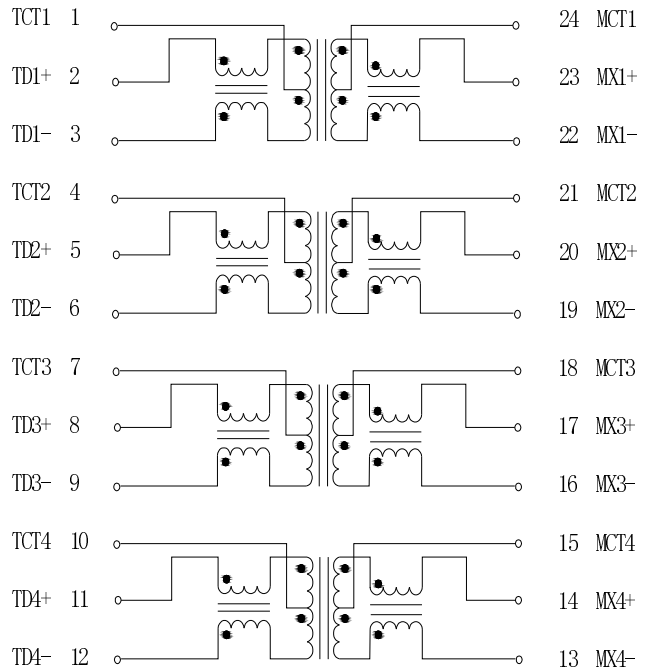


# 10/100/1000 BASE TRANSFORMER

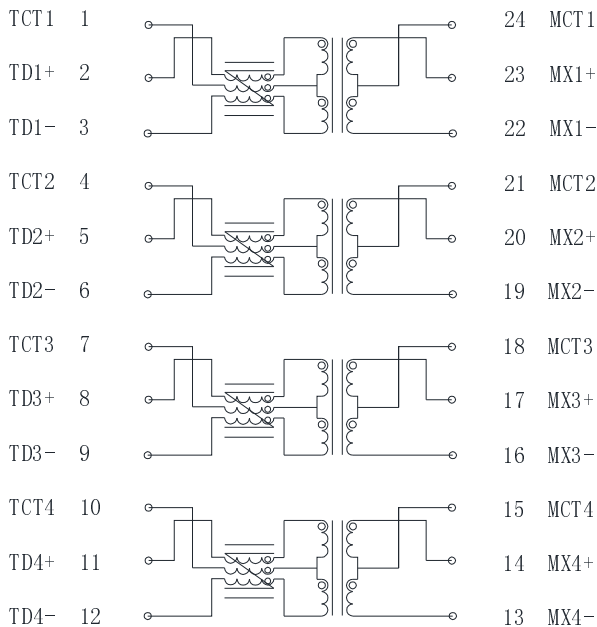
## AE-SC24802



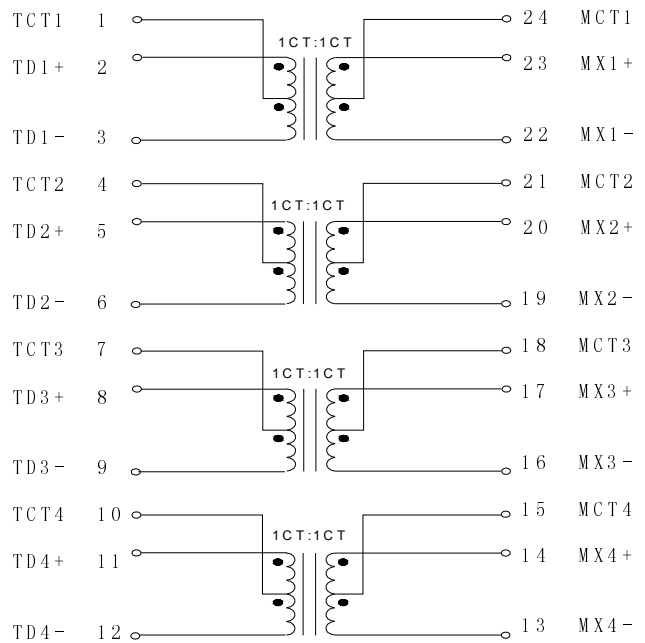
## AE-SC24803



## AE-SC24804/AE-SC24807/AE-SC24808/AE-SC24810

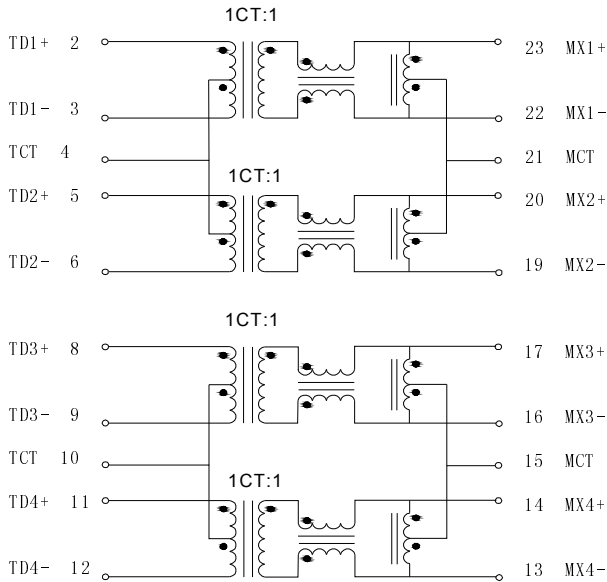


## AE-SC24805

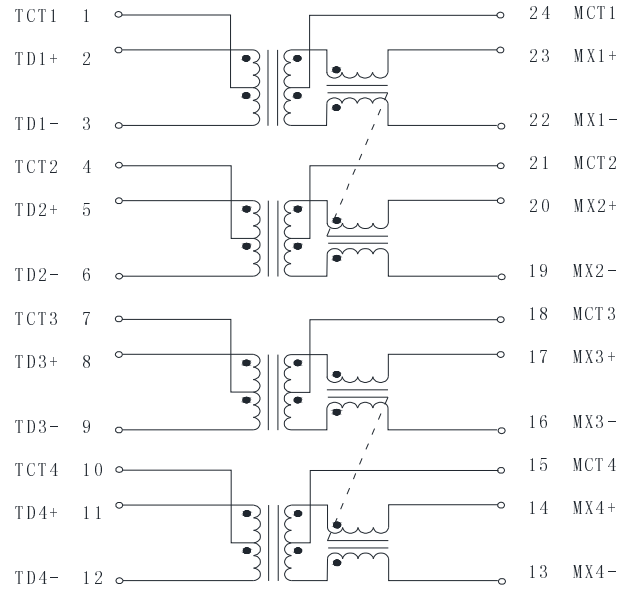


# 10/100/1000 BASE TRANSFORMER

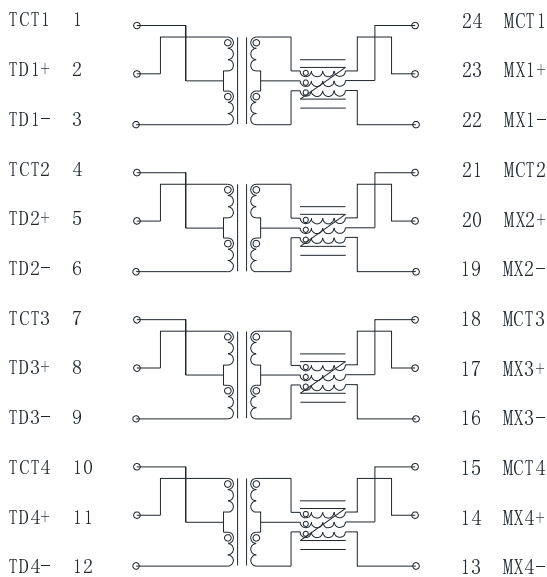
## AE-SC24806A



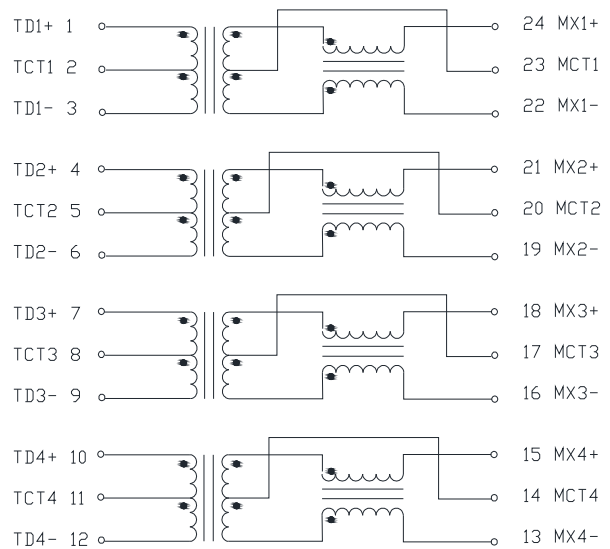
## AE-SC24809/AE-SC24811



## AE-SC24812



## AE-SC24813



Specification	Packing Manner	Q ' ty per Tube/Reel	Q ' ty/Inner box	Q ' ty/Carton
AE-SC248XX	TUBE	29	/	4640
	REEL	350	1050	2100