

### 10/100/1000 BASE SINGLE PORT TRANSFORMER

- Compliant with IEEE 802.3 standard.
- RoHS compliant.
- Operating temperature range :0°C to +70°C.
- Storage temperature range: 0°C to +85°C.

**Electrical Specifications @ 25°C**

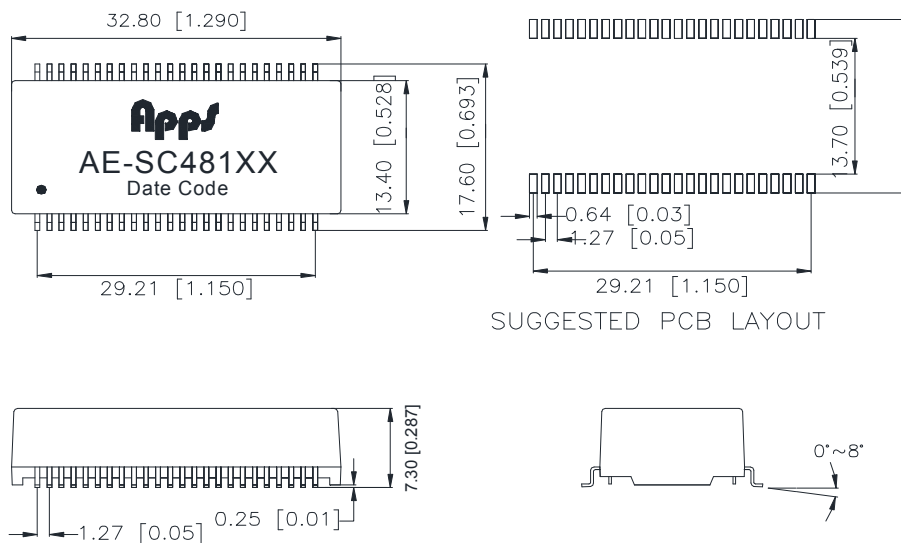
Part Number	Turns Ratio (±5%)		OCL(μH Min) @100KHz/0.1V With DC8.0mA	Insertion Loss (dB Max) 0.3-100MHz	HI-POT (Vrms)
	TX	RX			
AE-SC48101	1CT:1CT	1CT:1CT	350	-1.1	1500
AE-SC48102P	1CT:1CT	1CT:1CT	350@ With DC 21mA	-1.1	1500
AE-SC48103	1CT:1CT	1CT:1CT	350@ With DC 21mA	-1.1	1500
AE-SC48103P	1CT:1CT	1CT:1CT	350@ With DC 13mA	-1.1	1500

**Continue**

Part Number	Return Loss (dB Min)			Cross Talk (dB Min) 0.3-100MHz	DCMR (dB Min)		
	0.3-30MHz	40MHz	60-80MHz		30MHz	60MHz	100MHz
AE-SC48101	-18	-14.4	-12	-30	-40	-35	-30
AE-SC48102P	-18	-14.4	-12	-30	-40	-35	-30
AE-SC48103	-18	-14.4	-12	-30	-40	-35	-30
AE-SC48103P	-18	-14.4	-12	-30	-40	-35	-30

The Part Number "P": Compliant with IEEE 802.3at standard.

**Mechanicals:**



Dimension: mm [Inch] ±0.25 [0.010]

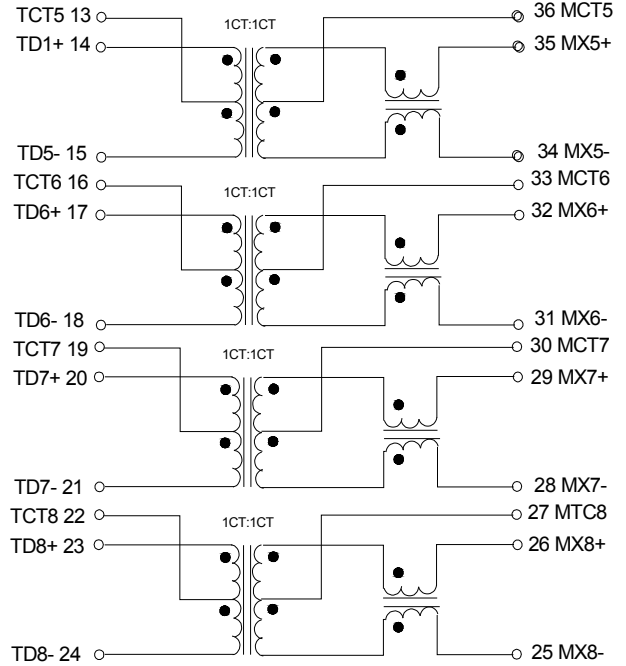
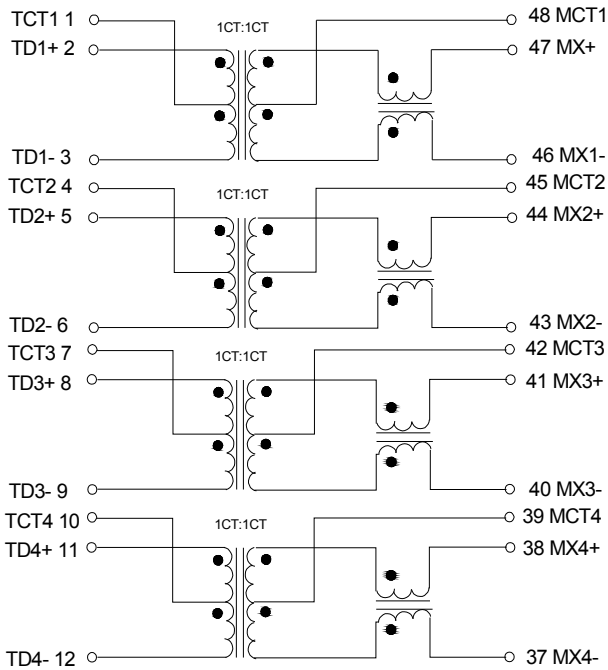
Address: Room 1720, Block A, Xinian Centre, Shennan Road, Futian District, Shenzhen, Guangdong, P.R. China

Tel : +86 ( 755 ) 86538552 Fax : +86 ( 755 ) 26653184 Post Code : 518057

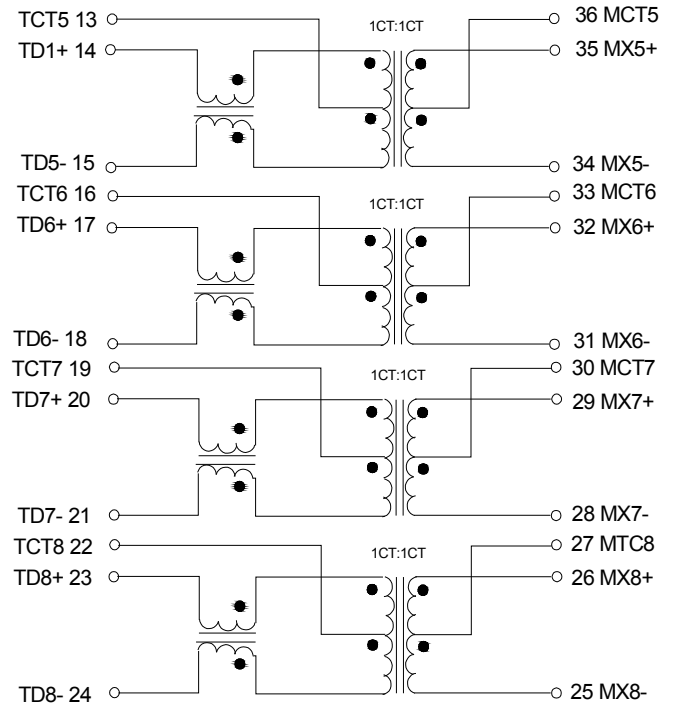
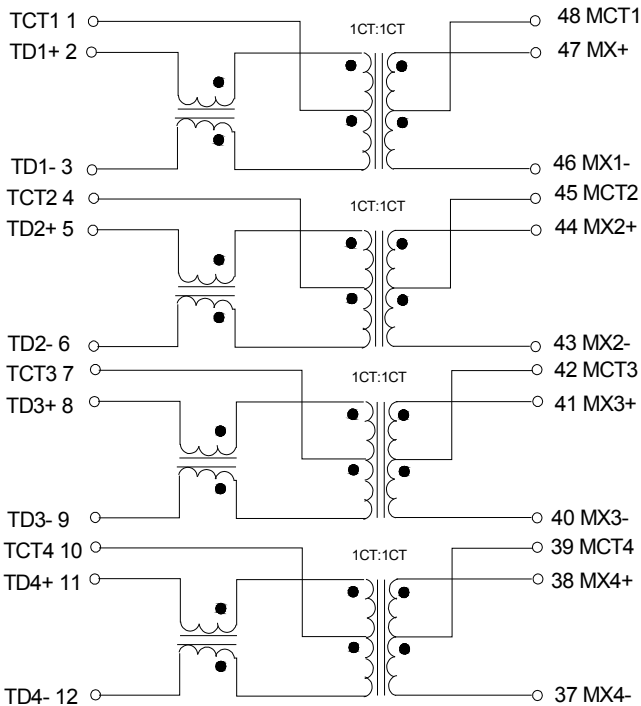
Http: www.appselectronics.com E-mail: sales@appselectronics.com

# 10/100/1000 BASE SINGLE PORT TRANSFORMER

## AE-SC48101

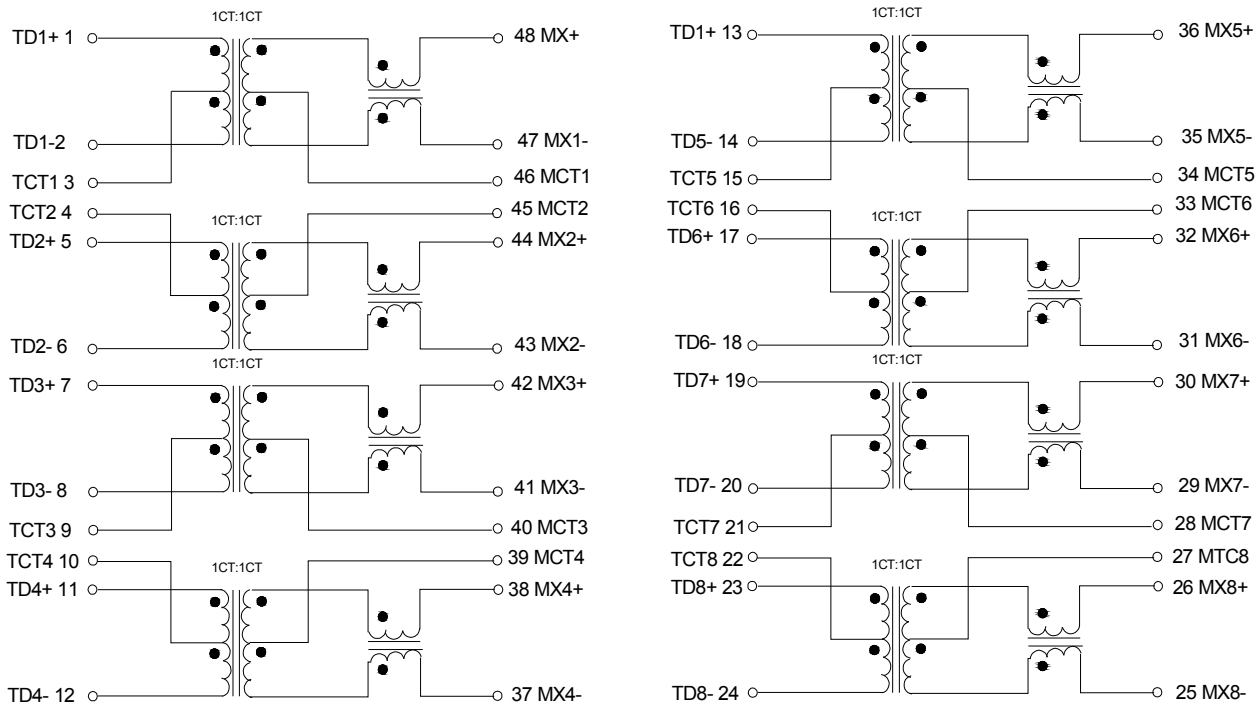


## AE-SC48102



# 10/100/1000 BASE SINGLE PORT TRANSFORMER

AE-SC48103



Specification	Packing Manner	Q'ty per Tube/Reel	Q'ty/Inner box	Q'ty/Carton
AE-SC481XX	TUBE	18	/	2430
	REEL	350	700	1400