

Part Number: AE-SC24801H

10/100/1000 BASE SINGLE PORT TRANSFORMER

- Compliant with IEEE802.3ab requirement.
- RoHS compliant.
- Operating temperature range:-40°C to +85°C.
- Storage temperature range:-40°C to +125°C.



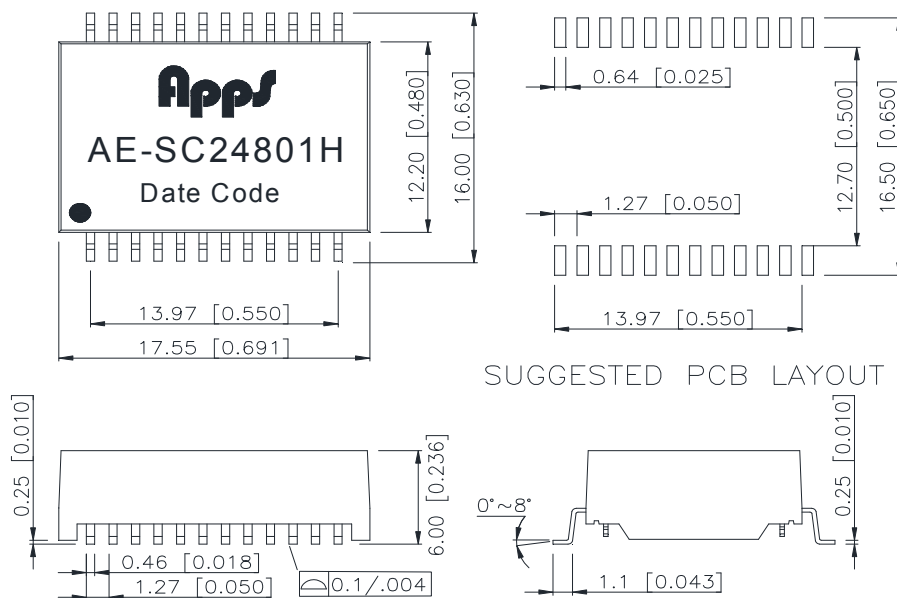
**Electrical Specifications @ 25°C**

Part Number	Turns Ratio (±5%)	OCL(μH Min) @100KHz/0.1V with 8.0mA DC	Insertion Loss (dB Max)	HI-POT (Vrms)	DCMR (dB Min)		
	TX: RX		1-100MHz		30MHz	60MHz	100MHz
AE-SC24801H	1CT:1CT	350	-1.1	1500	-30	-28	-25

**Continue**

Part Number	Return Loss (dB Min)					Cross Talk (dB Min)		
	1-30MHz	40MHz	50MHz	60-80MHz	100MHz	30MHz	60MHz	100MHz
AE-SC24801H	-18	-14.4	-13.1	-12	-10	-40	-35	-30

**Mechanicals:**

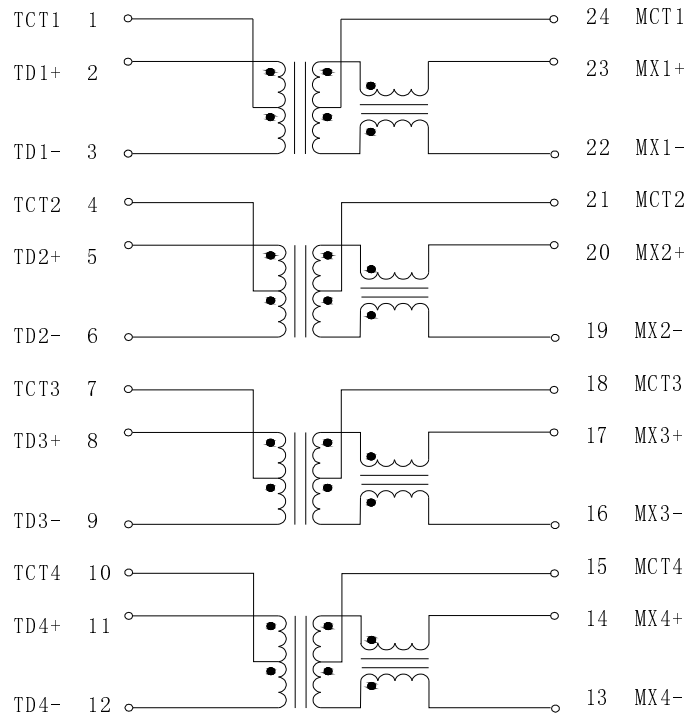


Dimension: mm[Inch]±0.25[0.010]

Part Number: AE-SC24801H

10/100/1000 BASE SINGLE PORT TRANSFORMER

Schematics:



Package:

